

## Side Thrust Pins

Zinc Die Casting

### SPECIFICATION

#### Types

- Type **A1**: Cylinder, horizontal
- Type **A2**: Cylinder, vertical
- Type **B1**: Wedge, top
- Type **B2**: Wedge, down
- Type **B3**: Wedge, right
- Type **B4**: Wedge, left

#### Identification No.

- No. **1**: standard spring load
- No. **2**: high spring load

#### Housing

Zinc die casting **ZD**  
plastic coated  
black, RAL 9005, matte, textured finish

#### Thrust pin

Plastic, smooth **KG**  
Plastic POM, black

Stainless Steel, smooth **NG**  
metal injection molded AISI 630

Stainless Steel, ribbed **NR**  
metal injection molded AISI 630

Spring  
Stainless Steel AISI 301

#### Screw

- Steel, zinc nickel coated (Version KG)
- Stainless Steel, A2 (Version NG / NR)

### INFORMATION

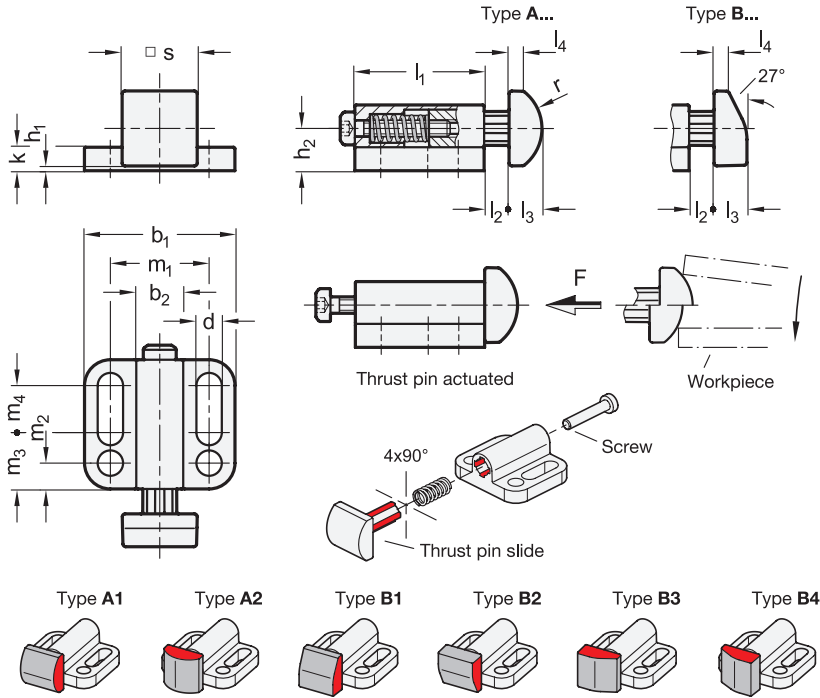
Side thrust pins GN 415 have a compact design and offer maximum flexibility for tensioning and holding parts. A variety of thrust pin designs as well as two different spring forces are available.

Depending on the installation situation, the side thrust pins offer a pull-down effect operating within height  $h_2$ . They are fastened by means of holes or slots.

The side thrust pins are installed fully assembled. If necessary, the installation position of the thrust pin slide can be rotated by  $4 \times 90^\circ$  according to the sketch. When installing version KG, the shaped thread in the plastic slider should be reused and the tightening torque limited.

### TECHNICAL INFORMATION





\* Complete with type index of the Side thrust pins

A1 A2 B1 B2 B3 B4

GN 415

Description	b1	b2	d	h1 +0.5	h2	k	l1	l2 ≈	l3	l4 ≈	m1	m2	m3	m4	r	s	Spring load in N ≈ initial	Spring load in N ≈ end	⚖
GN 415-ZD-22-*-KG-1	22	7	3.3	1	6	4	16.5	2.8	4.8	2.4	14	4	8	4.5	6.25	10	8	11	12
GN 415-ZD-22-*-KG-2	22	7	3.3	1	6	4	16.5	2.8	4.8	2.4	14	4	8	4.5	6.25	10	11	20	12
GN 415-ZD-22-*-NG-1	22	7	3.3	1	6	4	16.5	2.8	4.8	2.4	14	4	8	4.5	6.25	10	8	11	13
GN 415-ZD-22-*-NG-2	22	7	3.3	1	6	4	16.5	2.8	4.8	2.4	14	4	8	4.5	6.25	10	11	20	13
GN 415-ZD-22-*-NR-1	22	7	3.3	1	6	4	16.5	2.8	4.8	2.4	14	4	8	4.5	6.25	10	8	11	14
GN 415-ZD-22-*-NR-2	22	7	3.3	1	6	4	16.5	2.8	4.8	2.4	14	4	8	4.5	6.25	10	11	20	14
GN 415-ZD-32-*-KG-1	32	10	5.4	1	9	5	27.5	5	7	3.1	21	5.5	12	10	10	16	8	19	32
GN 415-ZD-32-*-KG-2	32	10	5.4	1	9	5	27.5	5	7	3.1	21	5.5	12	10	10	16	19	45	32
GN 415-ZD-32-*-NG-1	32	10	5.4	1	9	5	27.5	5	7	3.1	21	5.5	12	10	10	16	8	19	39
GN 415-ZD-32-*-NG-2	32	10	5.4	1	9	5	27.5	5	7	3.1	21	5.5	12	10	10	16	19	45	39
GN 415-ZD-32-*-NR-1	32	10	5.4	1	9	5	27.5	5	7	3.1	21	5.5	12	10	10	16	8	19	40
GN 415-ZD-32-*-NR-2	32	10	5.4	1	9	5	27.5	5	7	3.1	21	5.5	12	10	10	16	19	45	40
GN 415-ZD-39-*-KG-1	39	14.5	6.5	1	12	6	35	8.2	10	4.7	27	6.5	15	13.5	13.75	22	17	33	69
GN 415-ZD-39-*-KG-2	39	14.5	6.5	1	12	6	35	8.2	10	4.7	27	6.5	15	13.5	13.75	22	27	75	69
GN 415-ZD-39-*-NG-1	39	14.5	6.5	1	12	6	35	8.2	10	4.7	27	6.5	15	13.5	13.75	22	17	33	93
GN 415-ZD-39-*-NG-2	39	14.5	6.5	1	12	6	35	8.2	10	4.7	27	6.5	15	13.5	13.75	22	27	75	93
GN 415-ZD-39-*-NR-1	39	14.5	6.5	1	12	6	35	8.2	10	4.7	27	6.5	15	13.5	13.75	22	17	33	94
GN 415-ZD-39-*-NR-2	39	14.5	6.5	1	12	6	35	8.2	10	4.7	27	6.5	15	13.5	13.75	22	27	75	94

Weight type A1

